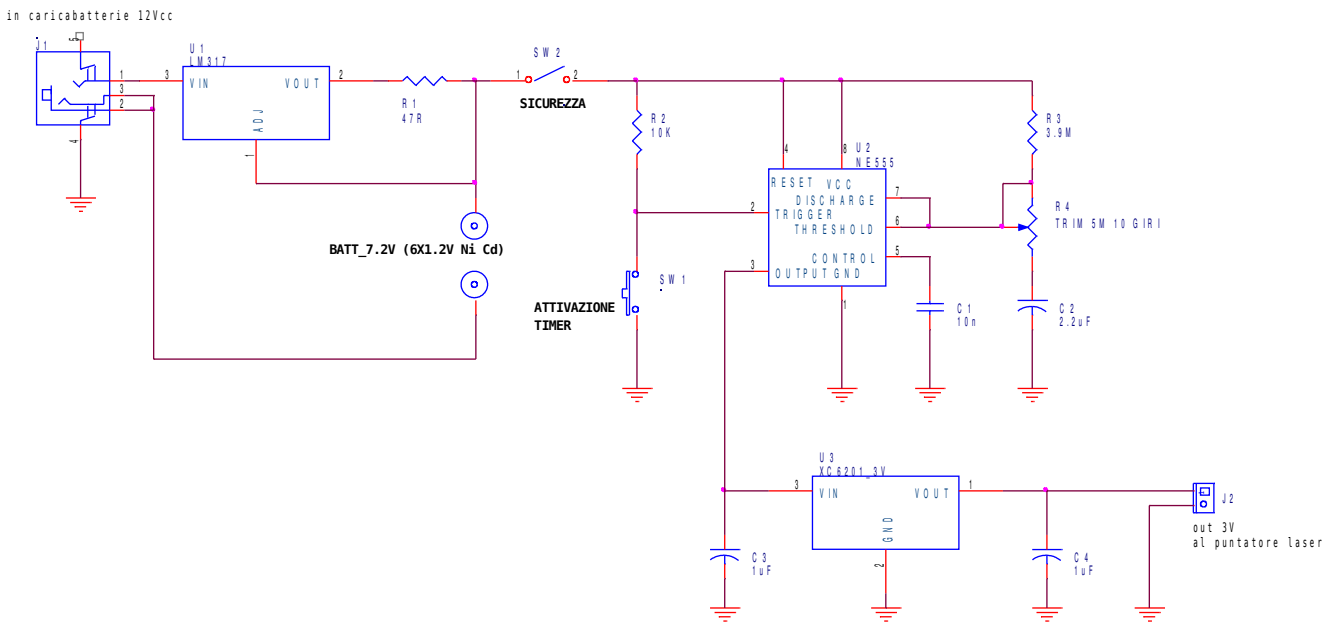


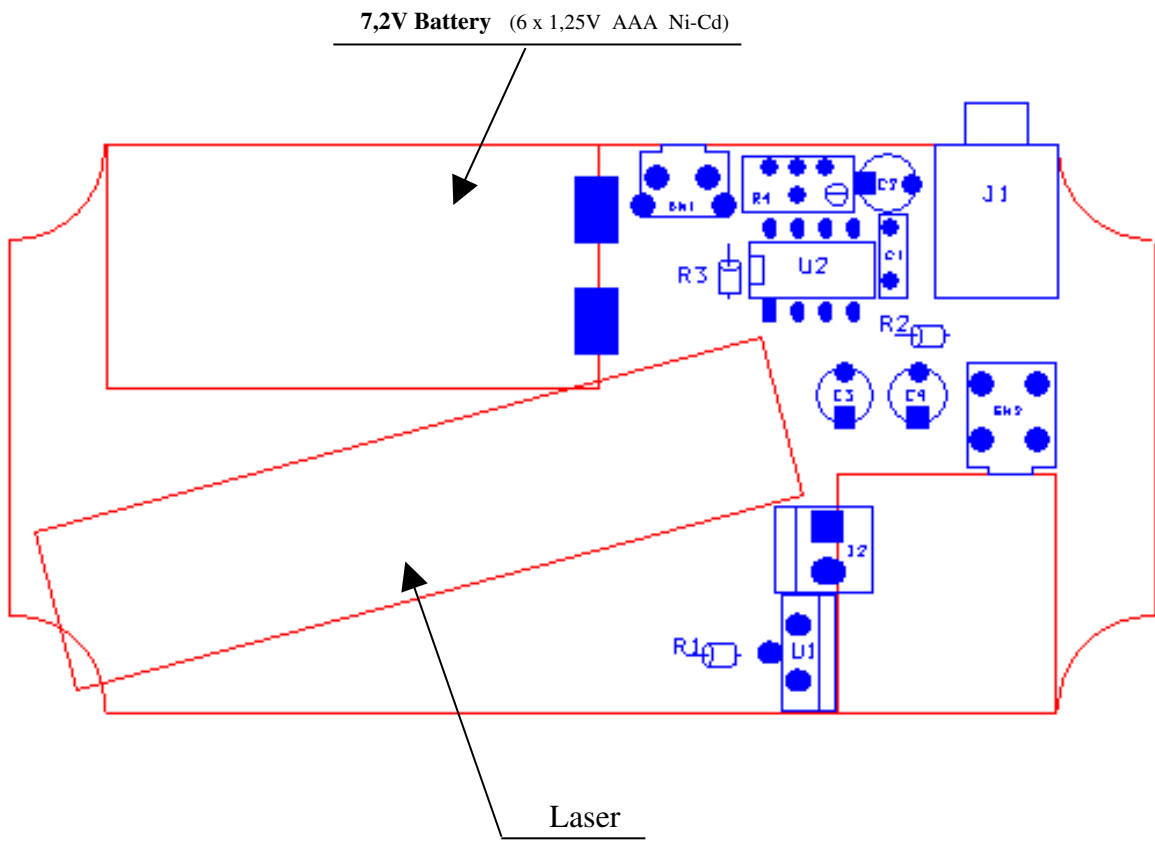
Schematic:



Bill of Material:

Item	Quantity	Reference	Part
1	1	C1	10n
2	1	C2	2.2uF
3	2	C3,C4	1uF
4	1	J1	JACK_STEREO_3mm_F
5	1	J2	Conn2V
6	1	R1	47R 1/2 W
7	1	R2	10K 1/4 W
8	1	R3	3.9M 1/4 W
9	1	R4	TRIM 5M 10 giri
10	1	SW1	SW TACT-SPST
11	1	SW2	SW KEY-YM061
12	1	U1	LM317
13	1	U2	NE555
14	1	U3	XC6201_3V
15	6	Batteria	Ni-cd AAA 800mAh
16	1	Laser 532nm	MP1900G

Assembly Top:



Bottom Layer (mirror view)

